

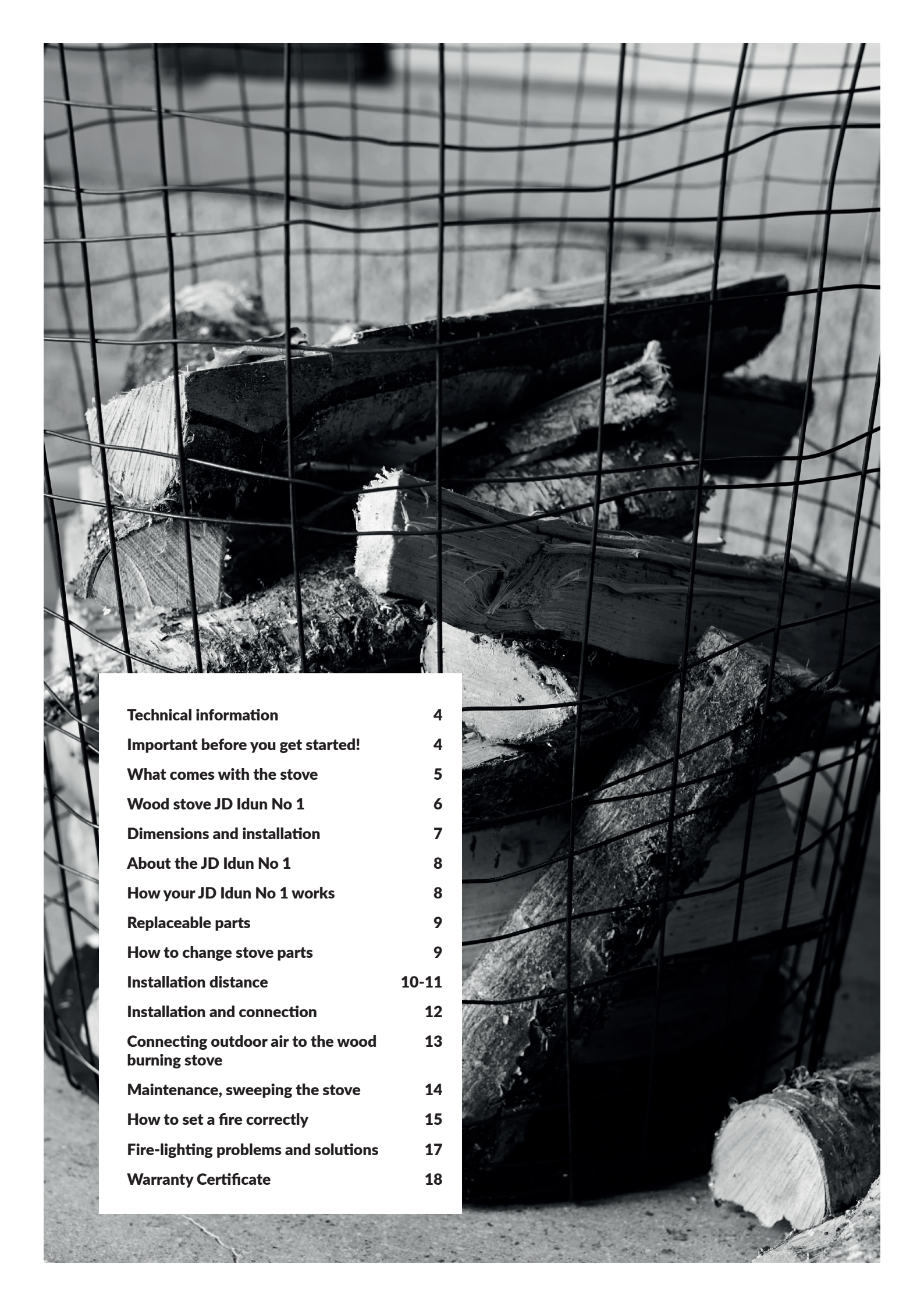
# JD Idun No 1

Manual for installation and maintenance



JOSEF DAVIDSSONS  
since 1882

A



<b>Technical information</b>	<b>4</b>
<b>Important before you get started!</b>	<b>4</b>
<b>What comes with the stove</b>	<b>5</b>
<b>Wood stove JD Idun No 1</b>	<b>6</b>
<b>Dimensions and installation</b>	<b>7</b>
<b>About the JD Idun No 1</b>	<b>8</b>
<b>How your JD Idun No 1 works</b>	<b>8</b>
<b>Replaceable parts</b>	<b>9</b>
<b>How to change stove parts</b>	<b>9</b>
<b>Installation distance</b>	<b>10-11</b>
<b>Installation and connection</b>	<b>12</b>
<b>Connecting outdoor air to the wood burning stove</b>	<b>13</b>
<b>Maintenance, sweeping the stove</b>	<b>14</b>
<b>How to set a fire correctly</b>	<b>15</b>
<b>Fire-lighting problems and solutions</b>	<b>17</b>
<b>Warranty Certificate</b>	<b>18</b>

## **It will soon be time for your first fire.**

Congratulations on your new wood burning stove!

All of us at Josef Davidssons hope that, like many others around the country, you will have many wonderful hours in the kitchen.

The JD Idun No 1 is a fine wood stove which works equally well for cooking and for cold winter evenings.

This manual contains instructions on how to install your wood burning stove as well as maintenance advice and tips on the best way to light the fire.

Warm regards,  
Josef Davidssons

## TECHNICAL FACTS JD IDUN NO 1

Efficiency (%)	79.2
Nominal Effect (kW)	4.4
Heating area (approx. m <sup>2</sup> )	30-60
Weight (kg)	130
Oven size (WxHxD mm)	270x155x400
Fireplace opening (WxH mm)	100x130
Log length (mm)	Max 300
Flue pipe dimension (mm)	Ø125
Distance to combustible material	See pages 10-11



## IMPORTANT BEFORE YOU GET STARTED!

### Professional installation

The manual contains instructions on how the JD Idun No 1 should be assembled and installed. To ensure the function and safety of the stove, we recommend that installation be carried out by a professional. Contact one of our dealers who can assist with the installation or recommend a suitable installer.

### Planning permission

When installing a fireplace and building a chimney, planning permission must be applied for with the local authority's planning office. Contact your local planning office if you are unsure of the application process.

### Load-bearing surface

Make sure that the floor structure of your home has sufficient bearing capacity for a wood burning stove and chimney. Normally, a wood burning stove and chimney can be placed on a standard wooden-framed floor in a family house if the total weight does not exceed 400 kg.

### Hearth plate

Embers falling from the stove represent a risk of fire. If you have a flammable floor in front of your wood burning stove, it must be protected by a hearth plate that covers at least 300 mm in front of the door and 100 mm to each side. The hearth plate may be made of natural stone, concrete, sheet metal or glass, for example.

The specified safety distances in this manual apply to the Swedish market. If the wood burning stove is to be installed in another country, the local regulations must be met.

### NB!

It is very important that the installation is inspected by a competent chimney sweep before the stove is taken into use.

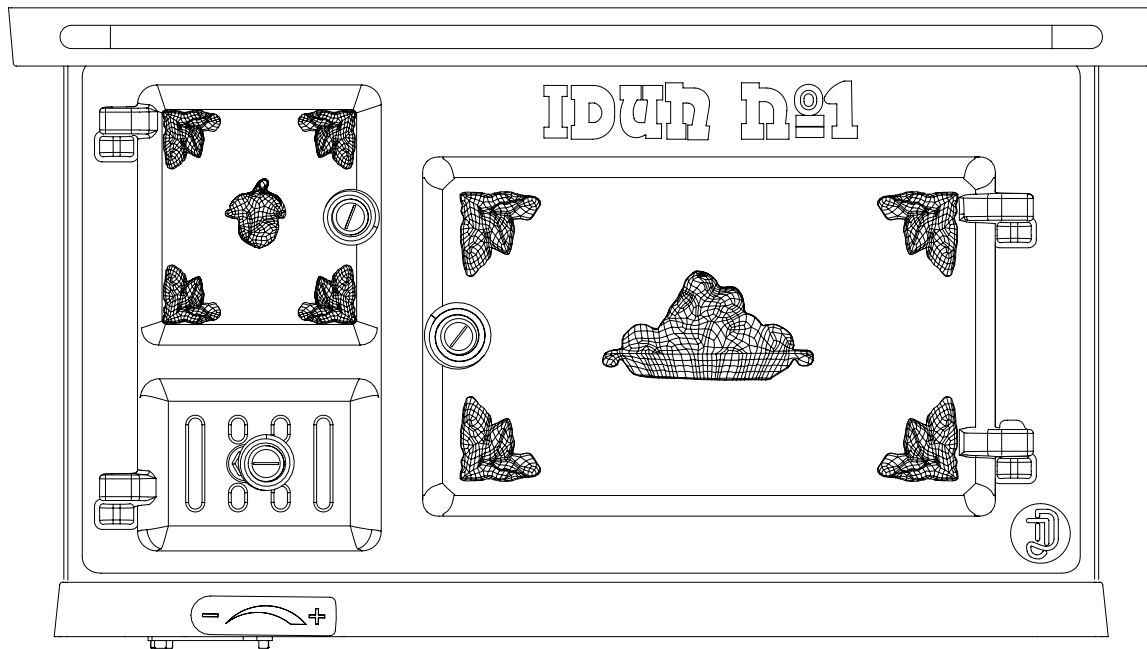
### WARNING! THE WOOD BURNING STOVE GETS VERY HOT

When burning, some areas of the stove become very hot and can cause burns when touched. Use the tip of the included poker hook to adjust the air supply air; this control becomes very hot. If flammable material is placed closer than the specified safety distance, it may quickly catch fire. Smouldering fires can quickly cause gas to ignite, with the risk of injury to persons and property.



## WOOD BURNING STOVE JD IDUN NO 1

This manual contains information about the installation and maintenance of the JD Idun No 1.

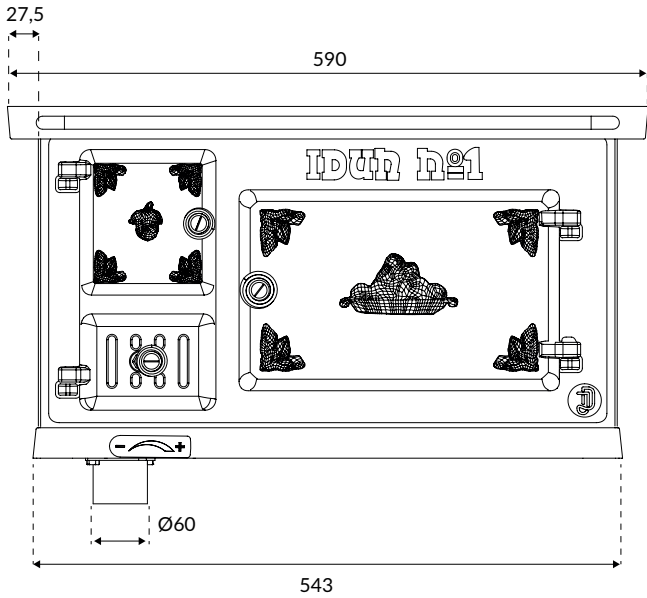


JD Idun No 1

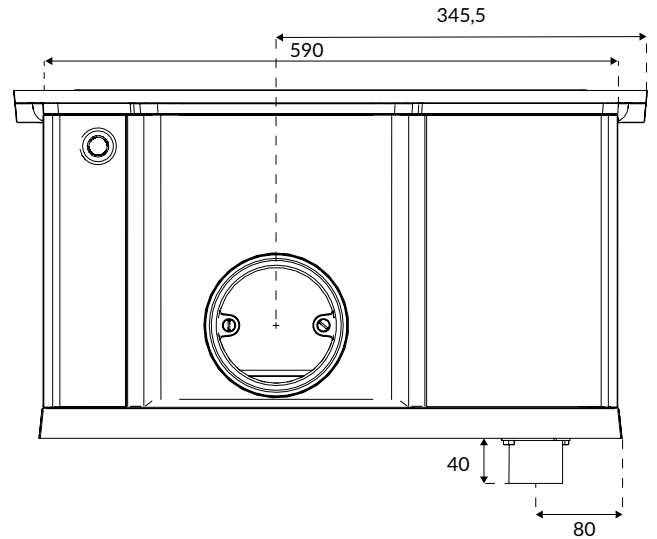
## MEASUREMENTS AND INSTALLATION

Here are the most important dimensions required for proper installation and optimal operation.

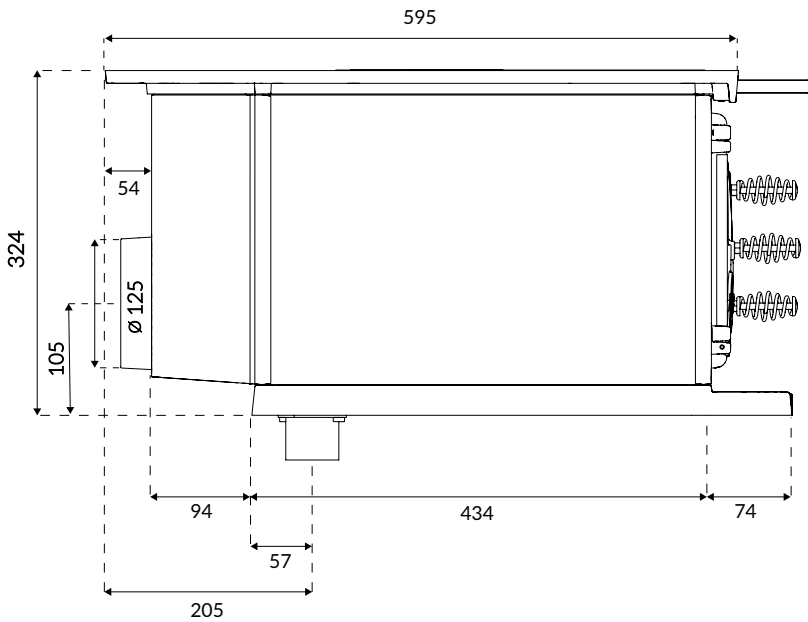
All measurements are given in millimetres.



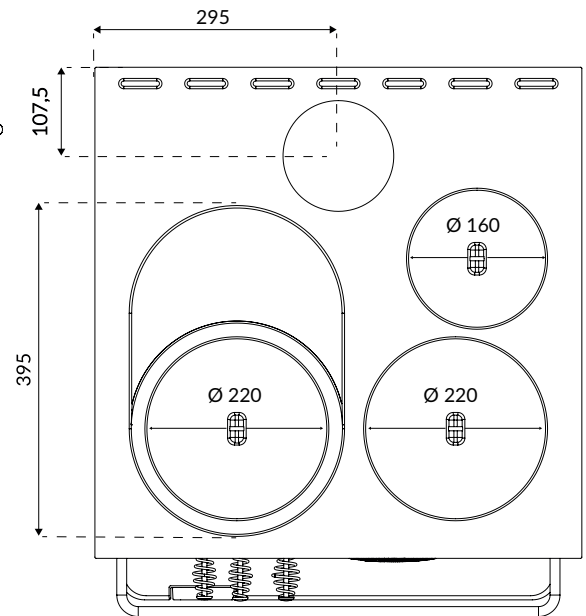
Front view



Rear view



Side view, rear connection



View from above

## ABOUT YOUR WOOD BURNING STOVE

### Manufacturer's declaration

The product meets the requirements of, and is CE marked according to, EN12815 standard. Instructions for installation and maintenance are included in an additional document. For CE marking, see page 19.

### General

The wood stove is made of heavy cast iron and is equipped with vermiculite as protection. The oven ceiling is clad with soapstone for additional heat protection and for a more even temperature in the oven. The heat retaining property of the material means the stove emits residual heat for several hours after use.

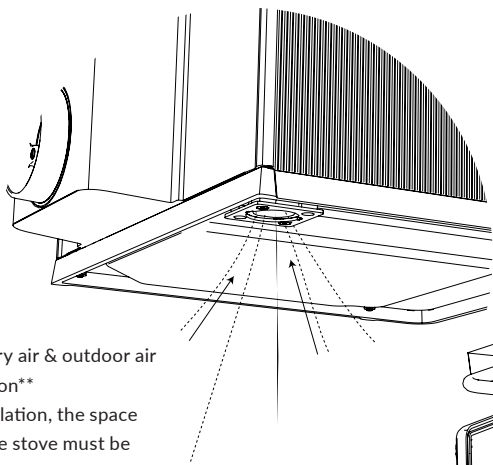
Owing to the airtight doors and the special supply of air to the fire, the stove maintains a maximum heating effect and low wood consumption. The wood is burned when the supply of secondary air flows through the holes in the vermiculite and by means of the primary air which is supplied when the combustion chamber door is ajar during the ignition phase.

## HOW YOUR WOOD BURNING STOVE WORKS

### Combustion air

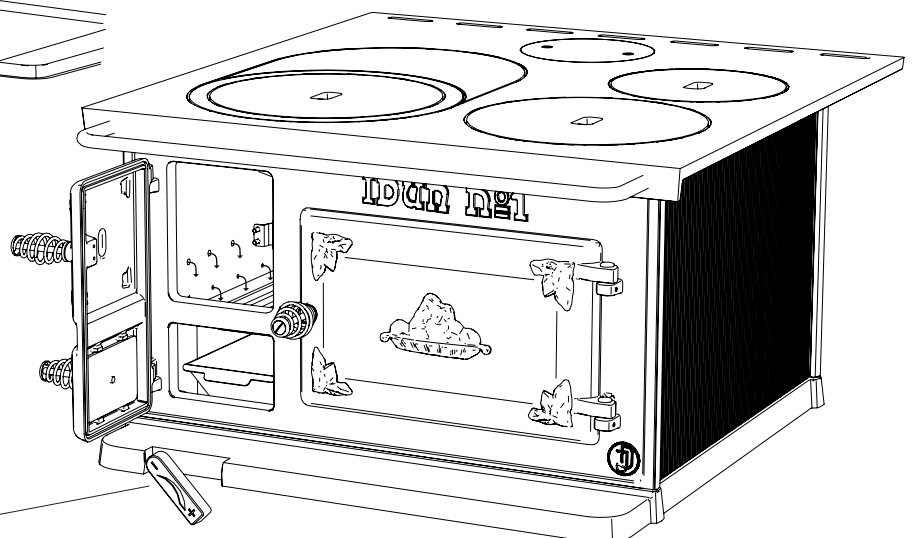
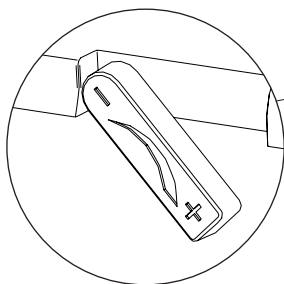
Primary air is supplied when filling with firewood and by means of leaving the door ajar during the ignition phase.

The secondary air is supplied through a fresh air intake under the stove; this damper is also referred to as the outside air connection. You adjust the supply using a regulator on the front of the stove. This air supply regulator should always be fully open when lighting the fire and may be closed back to 50% when the stove is thoroughly warm. The secondary air is then heated in the stove and finds its way into the via the holes in the vermiculite in the combustion chamber. The combustion air passes through the firebox then circulates across the oven roof and down on the stove's right-hand side. It then moves towards the rear and leaves the stove at the rear or at the top depending on the connection to the chimney.



Secondary air & outdoor air connection\*\*

On installation, the space below the stove must be unimpeded to allow the oxygen supply to the stove.



Regulate the secondary air supply here by turning the knob downwards to increase the oxygen supply.

**NB!** This regulator becomes very hot when the fire is lit. Use the poker to adjust the air supply regulator.

\*\* The connection adapter is an option and is included in the outdoor air connection kit. Read more about how to mount this on page 12.



## REPLACEABLE PARTS JD IDUN NO 1    HOW TO CHANGE STOVE PARTS

The JD Idun No 1 is built to last decades of use but do not forget to replace worn parts when necessary. Keep an eye on the vermiculite plates, grates and seals and replace them when they become worn. Spare parts and other accessories can be ordered on our website [josefdavidssons.se](http://josefdavidssons.se).

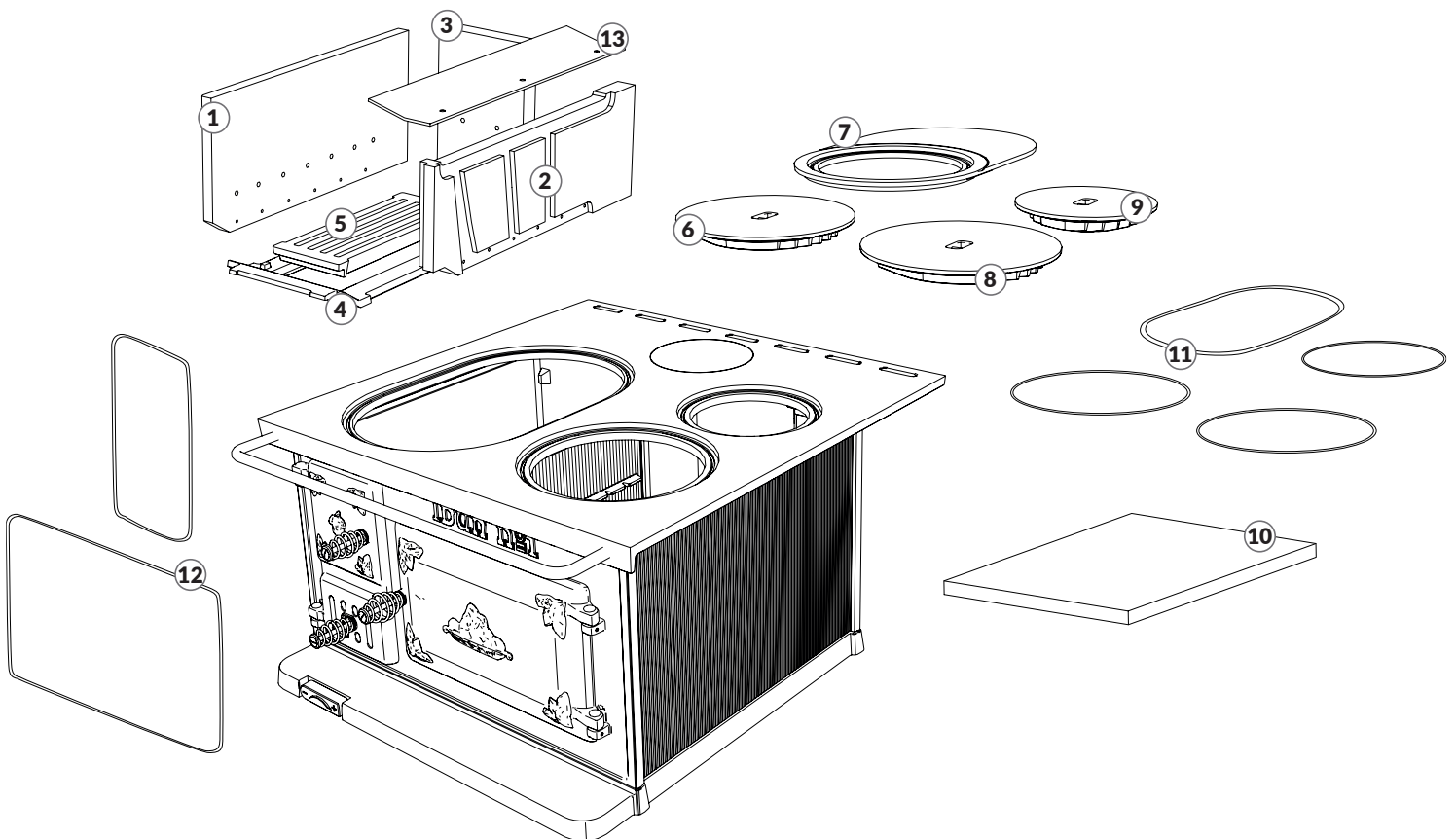
1	101931101	Outer plate (vermiculite)
2	101931102	Inner plate (vermiculite)
3	101931301	Rear vermiculite plate
4	100227302	Grate frame
5	100227303	Grate
6	990000202	Hob Ø220 mm
7	101931310	Half-moon
8	990000203	Hob Ø220 mm
9	990000201	Hob Ø165 mm
10	9900007	Soapstone roof
11	101931201	Seal set Hobs Ø3mm
12	101931202	Seal set Door Ø3mm
13	101931105	Guide plate

1. Remove the hobs and half-moon.

2. Start by removing the rear vermiculite plate (3). Next, lift out the right vermiculite plate (2) at the back edge, then angle it upwards to lift it out. Repeat for the left vermiculite plate (1).

3. To install the new parts, begin by putting in the left vermiculite plate (1), then the one on the right (2) and finally the plate at the back (3).

4. The grate is loose. The grate may be easily pried up with a screwdriver or similar.



## Installation distance

Please consider the safety installation distance.

The lowest possible ceiling height is 2000 mm for a safe distance. At least 1000 mm between hob and combustible material.

There must be at least 1000 mm to combustible material in front of the wood burning stove.

The distances refer to installation with insulated flue.

Non-insulated flue pipes must have a distance of at least 500 mm to combustible material.

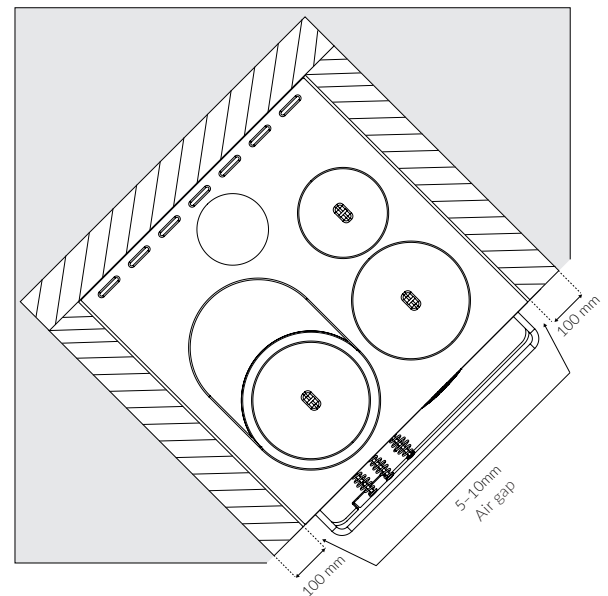
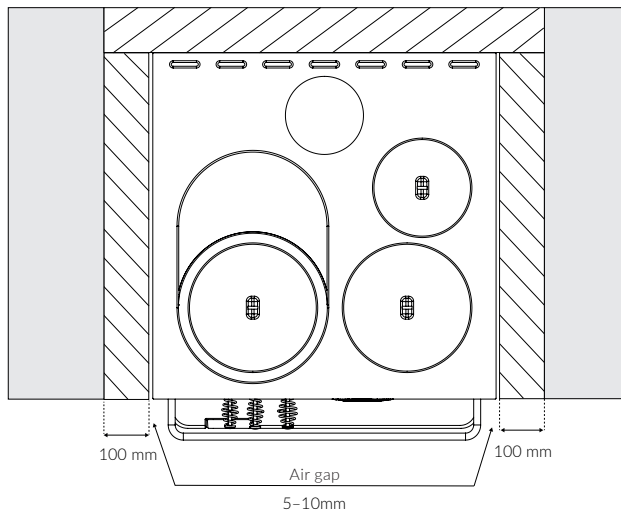
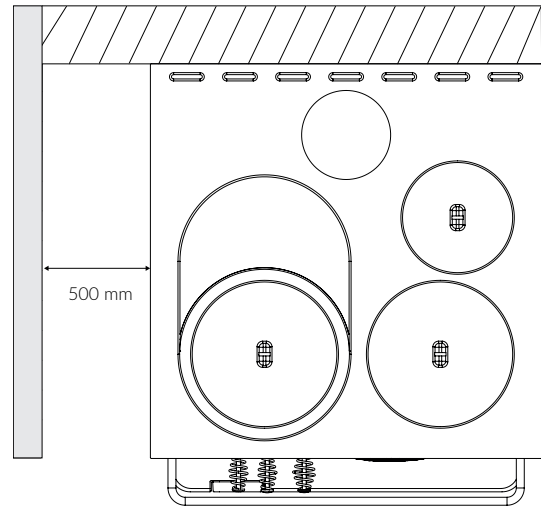
The stove is tested and approved with a 100 mm firewall, lightweight concrete or similar material for insulation.

If you choose a diagonal position, bear in mind that measurement is always made from the centre of the flue pipe.

Between the stove and any wall cabinet there must be a safety distance of at least 1000 mm and 200 mm laterally.

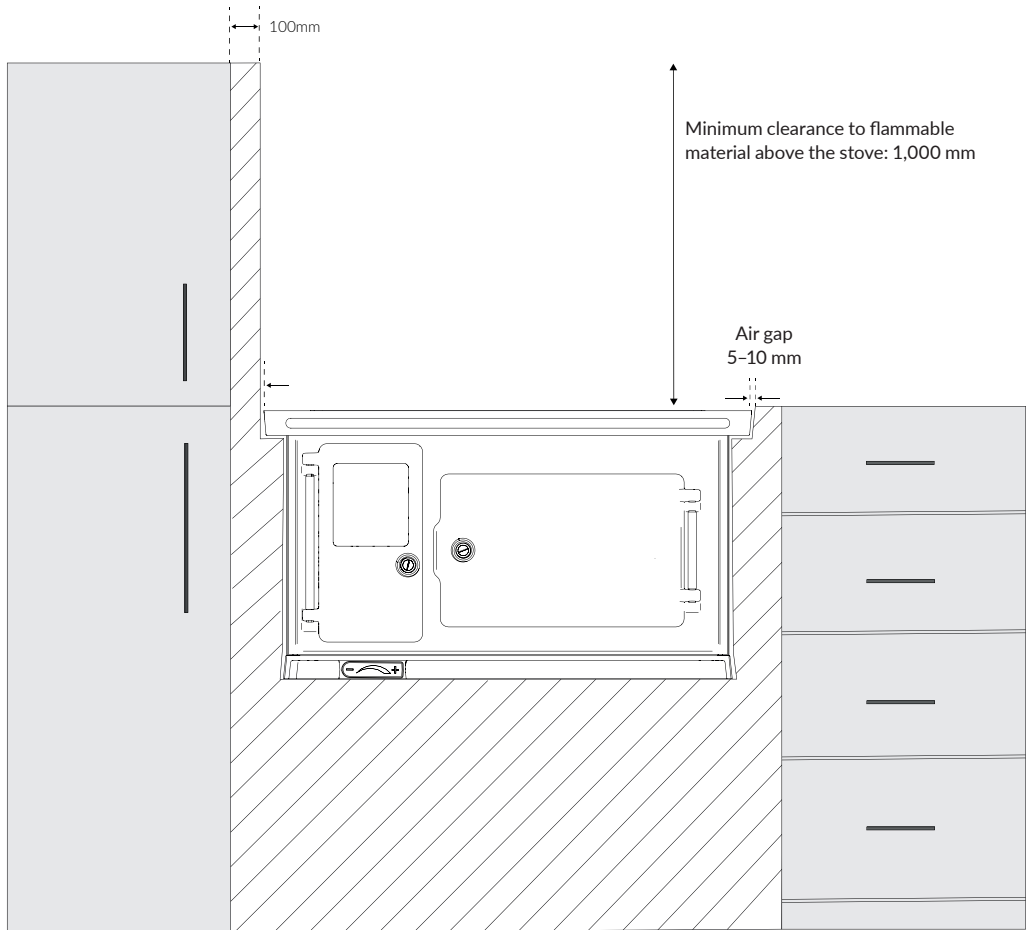
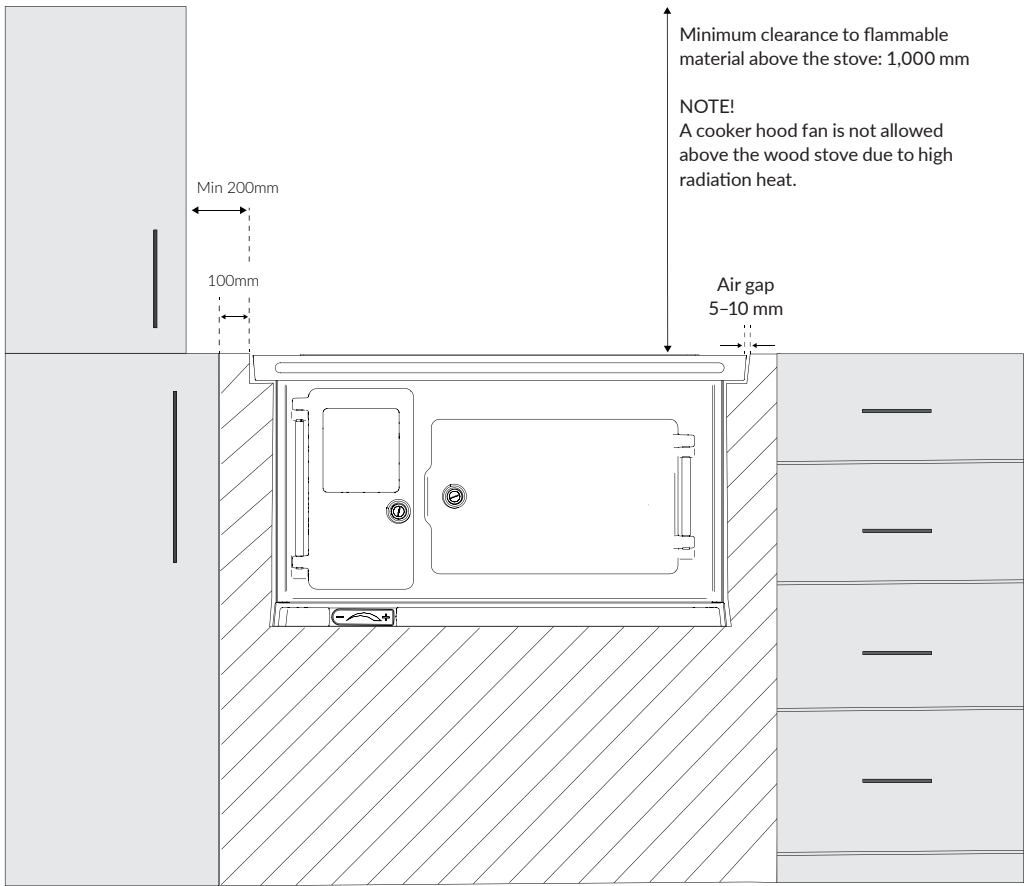
Always contact your chimney sweep if you are unsure of how to place and install your stove.

Grey = Combustible wall  
Striped = Firewall  
White = Air



### IMPORTANT!

Between the stove and insulating material (light concrete or similar) there must be an air gap of 5-10 mm.



## INSTALLATION AND CONNECTION

The wood burning stove meets the requirements for connection to a chimney designed for 350°C smoke temperature.

The connection adapter measures 125 mm on the outside; applicable with both rear and side connection.

The stove is constructed for a chimney draught measuring between -10 till -15 Pa. The draft is mainly affected by the length and area of the chimney, but also by how airtight it is. The minimum recommended chimney length is 3.5 m, and the appropriate cross sectional area is 120-180 cm<sup>2</sup> (125 mm in diameter). A flue with narrow bends and horizontal draught reduces the draught in the chimney. The maximum horizontal flue is 500 mm, provided that the vertical flue length is at least 5 m.

Adapter and smoke lock included unassembled. When connecting to the rear, use the smoke lock without screw holes for the hob. When connecting to the top, use the smoke lock with screw holes to seal the flue

in the back section. Both adapter and smoke lock are equipped with sealing band.

It should be possible to sweep the flue throughout its length, and the sweeping hatch must be readily accessible.

Check that the flue is airtight and that no leakage occurs around the sweeping hatch and connections. The stove can be connected to a chimney with multiple fireplaces.

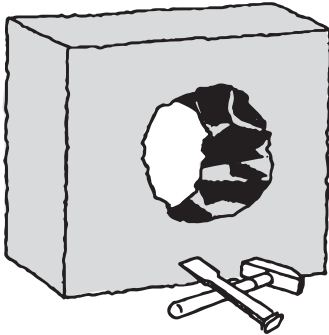
### NB!

Because modern fireplaces are more airtight than older stoves and involve special features to lower flue gas temperatures, the fireplace needs a stronger draft (negative pressure) to get started. If you experience recurring problems in starting the fire, you may need to install a flue gas fan to help get the fire started. Questions about flue gas fans may be answered by your dealer.

Steps 3 and 4, below, apply to a top connection to an existing chimney.

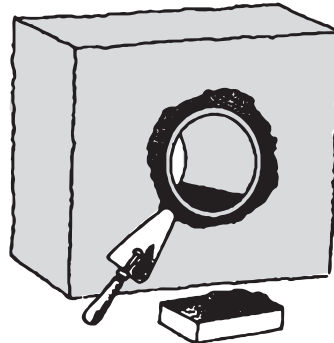
## CONNECTING THE STOVE TO AN EXISTING CHIMNEY

①



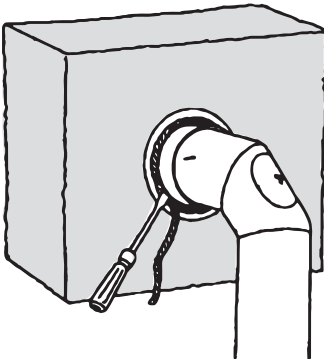
Carefully open a hole in the chimney where you wish to connect your wood burning stove.

②



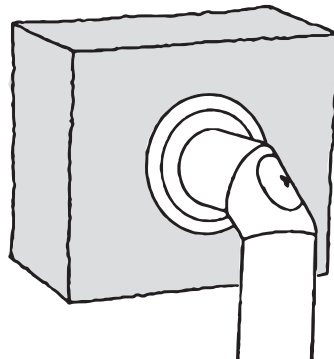
Immure the adapter.

③



Stuff with fireproof rope between the flue and the immured connector adaptor.

④



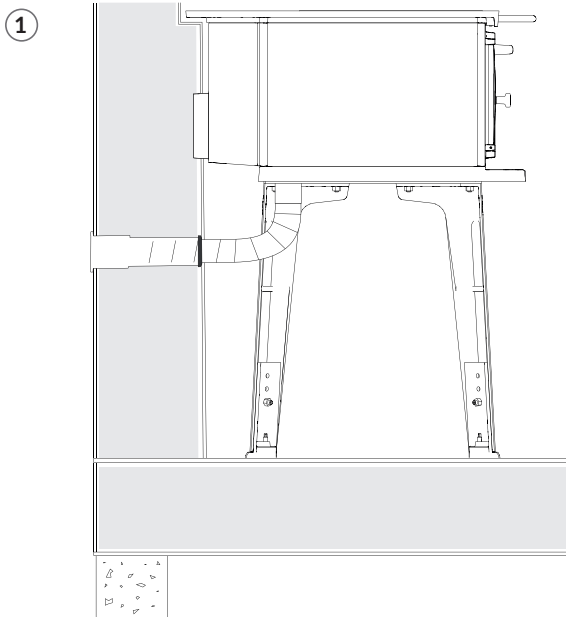
Finish with the flue rosette to seal the installation.

All chimney accessories are available from your nearest dealer or on our website.

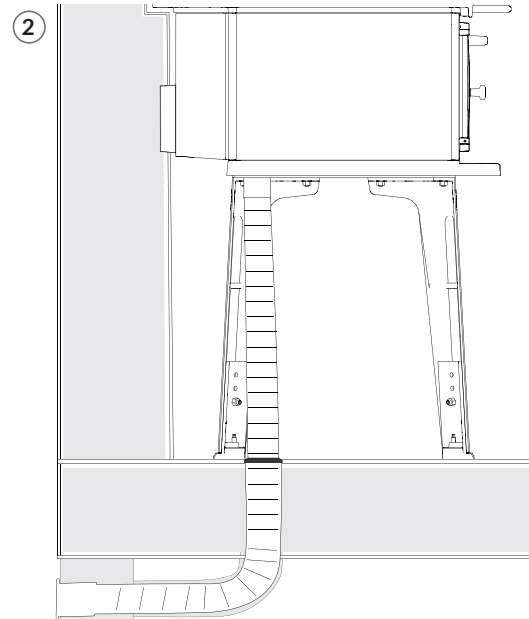
## CONNECT OUTDOOR AIR TO THE STOVE

For the stove to function optimally, the combustion chamber needs around 20 m<sup>3</sup> air per hour. If you have mechanical ventilation in your house, you should connect outdoor air to your wood burning stove. Otherwise you risk the wood burning stove disturbing air streams that go to the mechanical ventilation's air vents. There are different ways of connecting outdoor

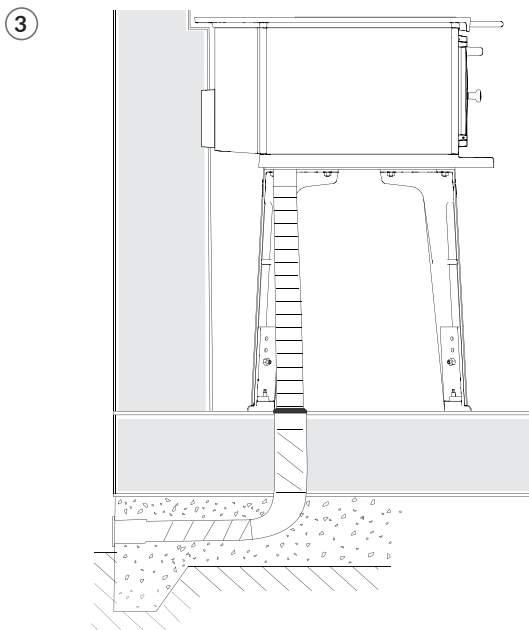
air to your wood burning stove, depending on the type of house you live in. Some take air directly through the outer wall, others enter through the foundations and come through the floor. If the supply pipe comes through the floor, it is important that it is insulated to prevent the build-up of condensation. Contact your dealer if you are unsure which connection is best for your house. Regardless of which solution you need, you should also seek the help of an authorised professional to carry out the work.



Connection to outdoor air via outer wall.



Connection to outdoor air via foundations.



Connection to outdoor air via bottom plate. Primarily used for new-builds.

### NB! IMPORTANT!

If you do not connect to outdoor air, then there must be an unimpeded space under the stove for the air supply duct. This is because the air used for combustion travels enters from this direction regardless of whether you connect an external air supply or if the air in the room is used.

For example, if the stove is bricked in, it must allow for a free passage of air to reach the air supply duct under the stove. Otherwise, the combustion chamber will not have an oxygen supply.

**Our connection kit for connecting to outdoor air is available from your dealer or at [josefdavidssons.se](http://josefdavidssons.se)**

#### **Connection kit for outdoor air**

Art. no. 990000931

- Connection adaptor Ø60 mm - Stove\*
- Flexible hose (1 m)
- Hose clamps (x 2)
- Adaptor from hose to 100 mm

\* **For installation:** the screws (black) are located on the underside of the air supply connector.

## MAINTENANCE OF YOUR STOVE

Carry out regular maintenance on your stove and treat it with stove blacking when necessary.

Ash should regularly be removed from the combustion chamber. The easiest way to do this is with a piece of wood prior to lighting the fire.

Empty the ash pan as soon as it is full.

Keep the stove and flue clean. If you use the stove often, you should occasionally sweep the chimney in-between visits from the chimney sweep.

Products for recommended maintenance can be found on our website [josefdavidssons.se](http://josefdavidssons.se)

### Sweeping of JD Idun No 1

The easiest way to clean/sweep the fireplace is by lifting up the hotplates/half-moon. This enables you to access the entire stove and oven ceiling for cleaning.

The supplied soot rake is used to access the right hand side of the oven and the inside of the right outer side. The underside of the oven all the way to the flue (applies to rear connection) may be accessed through the soot hatch located beneath the oven door. When your stove is connected at the rear, the smoke lock is attached with two screws that may easily be removed using a screwdriver. Here you gain access to sweep the back section.

When connected on the top, any soot from the chimney ends end up at the rear edge beneath the oven. This soot can also be accessed through the soot hatch located beneath the oven.

### Use stove blacking to maintain its appearance For your stove to maintain its lustre and continue



working optimally, it must be properly cleaned about once a year. Of course, this depends on how often the wood stove is used, but a simple check before the start of the season is always good. Rust and stains may provide a certain patina but can ruin your stove in the long term. That's where the stove blacking comes into its own!

It is important that the stove is cold when it is re-blacked, so it is natural to do this job in the spring when lighting a fire indoors occurs less often.

If the stove is a little rusty in places, this must be brushed off before applying the blacking – otherwise it will return that much faster. Ensure that your stove is properly cleaned. There are of course many methods for cleaning, but we recommend dry cleaning with an ordinary sponge or the like that will not scratch the cast iron. After cleaning, using the blacking will make your stove look like new. Linseed oil in combination with graphite provides good protection and an old-fashioned shine. Blacking also provides your stove with a degree of protection from rust and is absorbed into all the casting details.



Real old-fashioned stove blacking – Protective stove blacking with linseed oil and graphite for that old-fashioned shine.

Follow the simple steps below for a shiny black stove!

#### How to black your stove:

1. Apply a little rub of blacking using a kitchen sponge.
2. Rub the blacking in everywhere you can get to.
3. Don't forget the corners and decorations; use the corner of the sponge to get to the places which are more difficult to reach.
4. Rub off any excess with a soft cloth.
5. Done!

It may smell a little the next time you light the fire but this will soon disappear.

Now your stove is ready for use once more: enjoy the warmth, good food and a handsome stove!

## HOW TO SET A FIRE CORRECTLY

### Lighting the fire for the first time

A new wood burning stove should be fired up with care on the first few occasions. This makes the heat-resistant colour more durable. It may smell a little the first time you light the fire but this will soon disappear.

### Fuel

The best heat value is obtained from split birch wood. Hardwood trees generally burn more calmly than softwood, creating a more even heat. If you are burning oak, beech or other wood with a high heat value, you should always mix in other types of wood. Otherwise you risk damaging your stove. The wood should be dry, preferably with a 15-20% moisture content. For a normal fire, approximately 0.8-1kg wood/hour is a suitable amount of wood. 1 kg birch wood produces an effect of about 4 kW.

### Lighting the fire

Fully open the air supply damper. Place briquettes in the centre of the combustion chamber. Pile up small pieces of wood crosswise, like a log cabin, on top of the briquettes. Start by lighting the briquettes. These should, in turn, ignite the wood. Keep the fireplace door ajar for the first few minutes until the wood is properly lit. Depending on the chimney draught, you may need to leave the door open slightly longer to build up the temperature in the chamber and to create a satisfactory chimney draught. Then close the door and adjust the damper to achieve the desired intensity of the fire. The stove should be thoroughly warm before starting to reduce the air supply.

**NB!** If the flames die down too much when you close the combustion chamber door completely, the stove has not reached the sufficient temperature. Increase a little more primary air by leaving the door slightly ajar. When the stove has reached the right temperature and a satisfactory chimney draught has been achieved, the combustion chamber door should be closed to aid cleaner combustion.

### Adding firewood

When the intensity of the fire has decreased, it is time to add more wood. Gently open the door. Gusts of smoke may thus be avoided. Use a fireplace tool or piece of wood to distribute the ash and embers. Refill with 1-2 logs (ca 1kg) and close the door when the wood has ignited. The damper should be 50% open. **NB!** Be careful when adding more wood to the combustion chamber. The vermiculite may be damaged by wood being thrown in.

### Continuous fire

Keeping the fire going correctly means achieving as high a temperature as possible in the combustion chamber. This results in clean combustion and makes the most out of the stove and firewood. With clean combustion, you avoid soot coating the chamber. When using the fire correctly, there should be no visible smoke.

### Baking and cooking with your stove

If you are new to cooking with a wood stove, it is best to find your own way and see what works best for you. With practice, you can become a real professional at controlling the fire for perfect results.

Adjust the heat using the damper/regulator when the oven had become thoroughly warm. The hotter the stove and oven, the more air will be needed. You also need to make sure you have the correct amount



of wood with the right moisture content to produce optimal heat and combustion. Use smaller pieces of wood when making food or baking to get a more even heat. It can take a couple of hours before the stove is sufficiently hot for baking or making other food.

### A few tips for food preparation

- Cast iron saucepans and frying pan and enamelled casseroles are perfect for use on your stove.
- Place the provided thermometer at the bottom of the oven when you are going to do some cooking or baking in the oven.
- Saucepans may be moved around on top of the hob to regulate the heat. The hob is hottest immediately above the combustion chamber and somewhat cooler above the back of the oven.
- Baking buns for example, or something else? Turn the plate a few times during baking and your buns/pastries will be evenly baked.
- Make sure to clean your oven after use. A clean oven lasts longer!





---

## FREQUENTLY ASKED QUESTIONS AND WHAT TO DO

### **Why does my stove have such poor draught?**

- It may be that the masonry connection has not been properly sealed. Ask the chimney sweep to ensure the connection between the stove and the chimney is completely sealed.
- The flue may be blocked with soot. Clean the flue and combustion chamber.
- The chimney is too short, has too large a cross-sectional area or has been blocked by a bird's nest. Contact a chimney sweep or your dealer for guidance.
- There may be negative pressure in the home. Open a window or fit an exterior wall vent near the stove. The moisture content of the firewood is too high or the firewood is too cold. Only use dry wood with a maximum moisture content of 20%.

### **My chimney has a powerful draught. What can I do and what does it depend on?**

- The sealing tape around the door may be worn. Check the sealing tape and replace worn tape.
- The chimney may be too long. Contact a chimney sweep or your dealer for guidance.

### **Why does the glass pane get sooty?**

- The wood may be too damp. Only dry wood with a maximum moisture content of 20% should be used.
- The damper may be too tightly closed. Open the damper to provide more air for combustion.

### **Why does the glass pane turn white?**

- Poor combustion. Follow the instructions for the correct fire-lighting method provided in this manual.
- The fuel may be of too poor a quality. Do not use waste wood, painted wood, impregnated wood, plastic laminated wood, plywood or the like. Always use clean, dry fuel/firewood.

### **I get smoke in the room when opening the door. Why, and what can I do?**

- Opening the door too quickly causes pressure equalisation in the combustion chamber. Open the door slowly.
- There may be poor draught in the chimney. Contact your chimney sweep or dealer to check the height of the chimney in relation to the draught that the stove requires.
- There may be too high a negative pressure in the home. Open air supply vent or window to increase oxygen in the air inside the home.

### **White smoke develops in the combustion chamber. Why, and what can I do?**

- The combustion temperature is too low. Increase the air supply.
- The wood can be moist and contain water vapour. Only use clean, dry fuel/firewood.

### **Black or grey smoke develops in the combustion chamber. Why, and what can I do?**

- Combustion is incomplete. Increase the air supply.

# WARRANTY CERTIFICATE

## WARRANTY TERMS

Josef Davidssons Eftr AB is responsible for ensuring that the products are not defective in any way that can be attributed to manufacturing or storage at the factory. The warranty is valid from the date of delivery to the customer.

Josef Davidssons Eftr AB accepts no responsibility for the dismantling and assembly costs for the replacement of a stove.

Josef Davidssons Eftr AB accepts no liability for costs due to downtime or other direct or indirect costs or damage.

The warranty conditions do not apply to the glass or the replaceable combustion chamber parts. The warranty period for grates, fire plate, vermiculite and glass is 1 year.

**10 years**

Josef Davidssons Idun No 1



*Mikael Andersson, Owner*

### **NB!**

The installation of a fireplace must be reported to the local planning office. The homeowner is responsible for ensuring that the required safety requirements are met and must have the installation checked by a qualified inspector.

The chimney sweep must be informed about the installation as it causes a change in the need for sweeping.



JOSEF DAVIDSSONS

since 1882



22  
NB0402  
JD Idun No 1  
DoP Nr. JD\_I1931\_220307  
EN 12815:2001/A1:2004  
www.josefdavidssons.se/prestandadeklaration

**SWE / EN / DE**

**PRODUKT / PRODUCT / PRODUKT**

Produkttyp / Product type / Produkttyp Vedspis / Wood stove / Holzofen

Typbeteckning / Product name / Produkt name JD Idun No 1

Avsedd användning / Intended use / Verwendung Rumsvärmare / Space heater / Raumheizung

Bränsle / Fuel / Brennstoff Ved / Wood / Holz

**VÄSENTLIGA EGENSKAPER / ESSENTIAL PROPERTIES / WESENTLICHE EIGENSCHAFTEN** **PRESTANDA / PERFORMANCE / LEISTUNG**

Brandsäkerhet / Fire safety / Brandschutz Klarar / Pass / Zugelassen

Rökgastemperatur / Flue gas temperature / Rauchgastemperatur 190°C

Rökgaskanal / Flue gas duct / Rauchgaskanal 30mm

Rökgasstos / Diameter of the flue gas connector / Rauchgasschluss Ø125 mm

Minsta avstånd till brännbart material / Minimum distance to flammable material / Mindestabstand zu brennbarem Material  
Bak till / Back / Hinter: 500 mm  
Sid an / Side / Seitlich: 500 mm  
Fram för / Front / Vor: 1000 mm

Emissioner från förbränning / Emissions of flue gases / Rauchgasemissionen CO = 0,09%

Angivning av farliga ämnen / Release of dangerous substance / Freisetzung von gefährlichen Stoffen NPD

Elektrisk säkerhet / Electrical safety / Elektrische Sicherheit NPD

Maximalt arbetstryck / Max. operating pressure / Maximaler Arbeitsdruck NPD

Mekanisk hållfasthet / Mechanical resistance / Mechanische Festigkeit Klarar / Pass / Zugelassen

Nominell effekt / Nominal heat output / Nennleistung 4,4kW

Verkningsgrad / Efficiency / Wirkungsgrad 79,2%

Yttertemperaturer / Surface temperatures / Oberflächentemperatur Klarar med hjälpmedel / Pass with instrument / Mit Hilfsmittel zugelassen



Josef Davidssons Eftr. AB  
Jättevägen 1  
33375  
Reftele  
+46 371-200 01  
info@josefdavidssons.se

Tillverkningsår / Year of manufacture / Herstellungsjahr

Serienummer / Serial number / Seriennummer



JOSEF DAVIDSSONS  
since 1882